

GYPSUM WALLBOARD AND
METAL STUD PARTITION WITH
3/4" FIRE RETARDANT
PLYWOOD

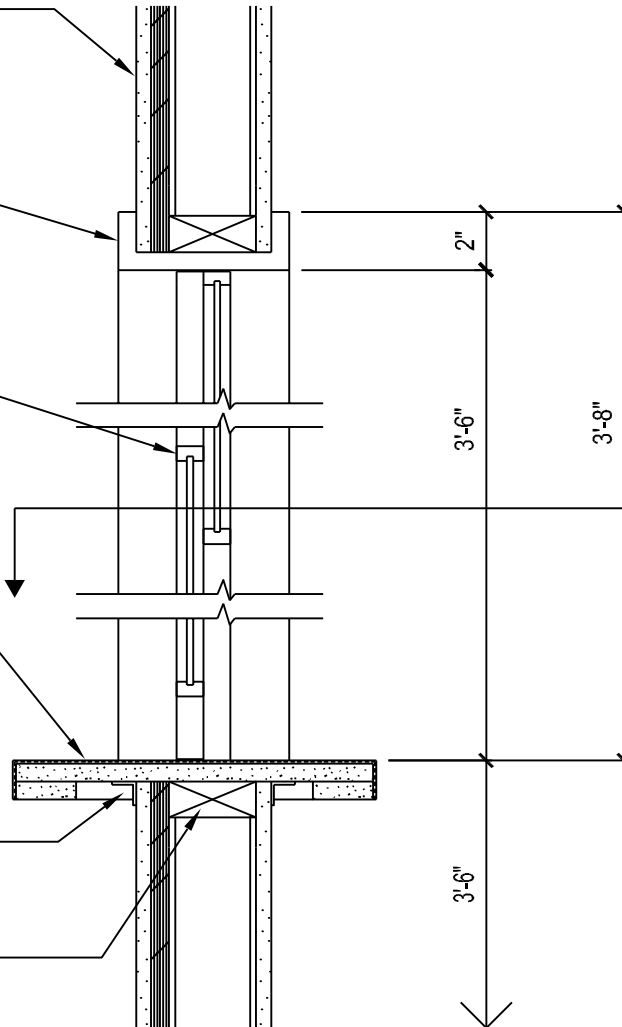
STEEL FRAME

LOCKABLE CASH
TRAY WINDOW W/
SLIDE STOPS TO
LIMIT OPENING
HEIGHT TO 4"
MAXIMUM

PLASTIC LAMINATE ON 3/4"
PARTICLEBOARD. RETURN
PLASTIC LAMINATE AT
ENDS

1 X 1 X 1/8" STEEL ANGLE
EACH SIDE

WOOD BLOCKING



SEE DESIGN
STANDARD PLATE
111700-03 FOR
PLAN

DATE	DEFENSE COMMISSARY AGENCY DIRECTORATE OF ENGINEERING FORT LEE, VIRGINIA - LACKLAND AFB, TEXAS		DESIGN STANDARD
JUN 2022	TITLE CASH TRAY WINDOW - SECTION	REF.	111700-04
		REV.	